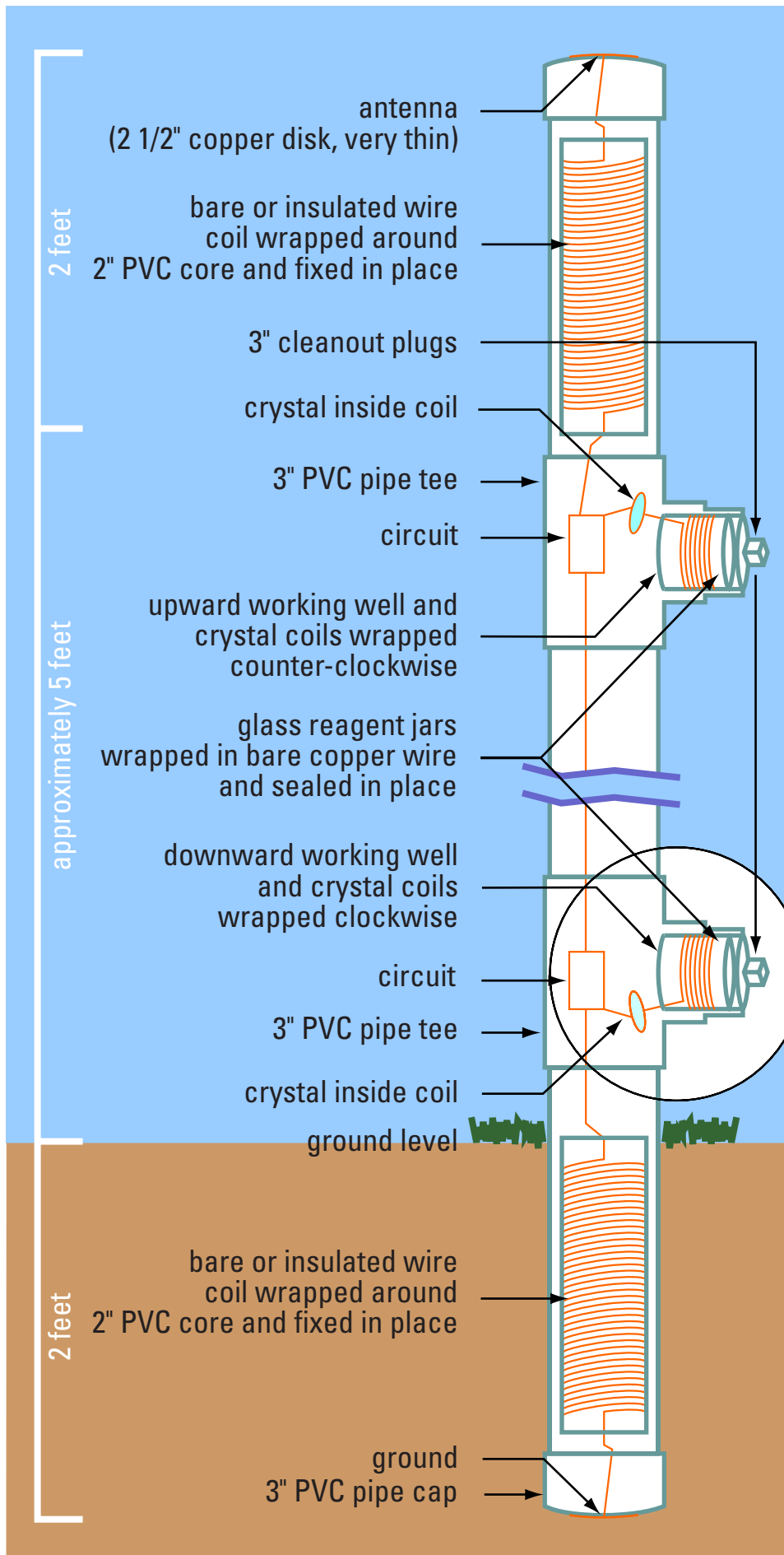
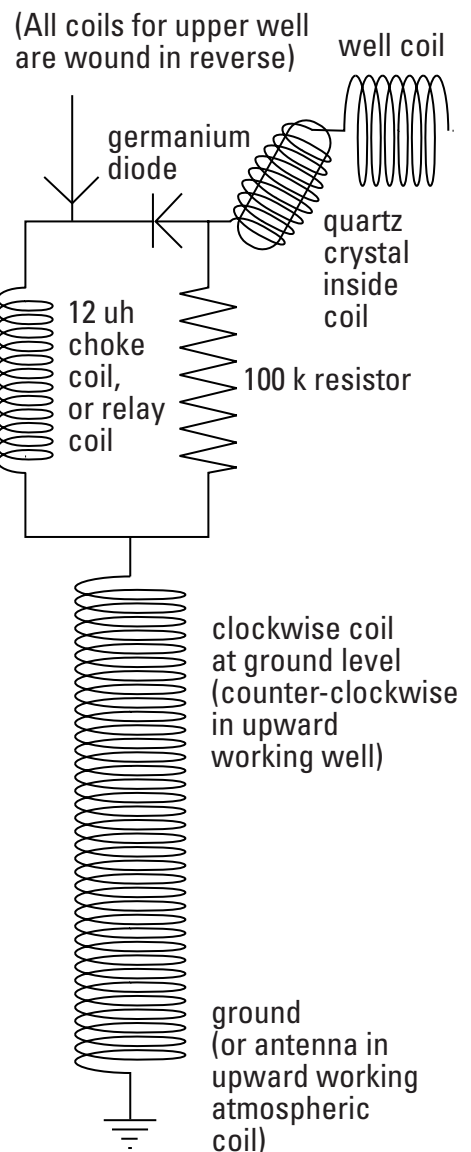


Quantum Field Broadcaster

Union Agricultural Institute
 8475 Dockery Road
 Blairsville, Georgia 30512
www.unionag.org

Ph: 706-745-6056
 Fax: 706-745-4499
 uai@alltel.net

Lower well circuit wiring schematic



Quantum Field Broadcasting Comes of Age!

Field broadcasting is an economical, effective way to continuously apply organizational patterns for robust environmental health to one's land. This makes low-input, high-yield agriculture of the highest quality do-able for everyone.

As a stationary, self-driven instrument, a field broadcaster induces self-reinforcing, resonant fractal patterns as homeopathic potencies directly into the life energy fields of soil and atmosphere day and night, 365 days a year.

HISTORY

Pattern energy field broadcasting grew out of the work of T. Galen Hieronymus who discovered that life forces, which are dynamic, organizational patterns of energy, can be broadcast over large acreages with stationary, self-driven induction equipment. He called his invention a Cosmic Pipe. Since Galen's first models several important discoveries have been made.

EACH PROPERTY IS AN INDIVIDUALITY

Rudolf Steiner realized that each agricultural property should be treated as a self-contained living entity with clearly defined boundaries. Every living organism has a skin, outer membrane or boundary. Otherwise the organizational forces that make it an organism, organic and alive, would leak away. This is true even of the solar system which is a dynamic vortical system. Astronomers have discovered a boundary region beyond the orbit of Pluto which they call the heliopause.

Hieronymus's early Cosmic Pipes disregarded the idea of boundaries, and within 20 feet or so of one plant growth typically was exceedingly strong, tapering off into the distance. Once broadcasting boundaries were introduced the organizational life patterns reflected back within the boundaries, building up evenly to much higher overall levels.

THOUGHT FORMS AND LIFE ENERGY

At first it wasn't clear that the broadcast had to be contained to be truly effective, but clearly it was inappropriate to affect anyone else's land without their informed consent. Initially the idea was to contain the patterns within one's property lines.

Several methods were experimented with, but what proved most effective was using a copy of an aerial photo or a survey map of the property with the boundaries clearly drawn in. Placing this in the reagent well with the operator's written intent to broadcast within the boundaries as marked created a thought form that life forces accurately responded to. Our tests demonstrated that written intents are extremely effective in field broadcasting.

THE ATMOSPHERE IS AS IMPORTANT AS THE SOIL

Hieronymus recognized the soil must be nourishing to grow good crops. However, what about the atmosphere where warmth and light cause fruiting and ripening? By building up the digestive and nutritive forces in the soil without similarly increasing photosynthesis, blossoming, fruiting and ripening caused serious imbalances. Fruits and grains ended up being digested by insects and diseases before they matured. This problem was solved with a two-way broadcaster design for balanced buildup of both soil and atmospheric forces.

FIELD BROADCASTERS REQUIRE TESTING AND CAN BE REPAIRED

Once we realized one-way broadcasting caused serious imbalances it became more of an issue to test periodically to see that both reagent wells worked. If either failed, repair was necessary or imbalances occurred. This required test terminals and a well design that allowed repair or replacement. We are sure some of Hieronymus' Cosmic Pipes failed without detection or repair. People installed and used them on faith. If a unit failed and results weren't forthcoming, who knew why?

THE STEINER AGRICULTURAL REMEDIES SUPPLY BOTH POLARITIES

Plants grow within the context of everything around them in the entire cosmos. The complete array of Rudolf Steiner's agricultural remedies supply both the downward, earthly, lime patterns and the upward, cosmic, silica patterns with the give-and-take patterns of clay mediating between these extremes. These remedies work with both the inner and outer planets of the solar family as they affect living organisms on the earth. This way all the features of the immediate cosmic surroundings are stimulated in a complete and balanced way.

THE INTEGRATING, MEDIATING EFFECT OF HORN CLAY

Working with Greg Willis of AgriSynthesis we found that in the traditional biodynamic practices that grew out of Steiner's work there was one remedy missing--Horn Clay. It tied everything together as a whole and mediated between the various parts as does the blood--to say nothing of the outer membrane or skin that contains it. Even more, horn clay ensured a dynamic exchange between the sugars from photosynthesis in the leaf and nourishment from micro-organisms in the soil. By incorporating summer horn clay as reagents in both upward and downward broadcasts there was no loss of energy at either extreme. Then sugars formed by photosynthesis were transported to the roots to feed microorganisms, particularly the azotobacters and

mycorrhizae that provide nourishment for the plant. Once this clicks nitrogen fertilization becomes undesirable. Plants do better when they get their nitrogen from soil bacteria in the form of amino acids rather than nitrogen salts. Quality as well as yield is then assured, and plants can fulfill their genetic potential.

BALANCING AND TUNING HOMEOPATHIC POTENCIES FOR EACH LOCALITY

In the light of Lili Kolisko's research regarding homeopathic potencies of biodynamic preparations we found it desirable to determine for every location the appropriate potencies for each Steiner remedy. In each instance different conditions prevail, and achieving a finely tuned balance requires varying the homeopathic potencies. Sometimes in the middle of a crop year symptoms in the field will indicate an imbalance, and one particular potency or another can turn the situation around.

ARCHETYPAL REAGENTS MADE FROM GEOMETRIC CARDS

It has proven inadvisable to put crude, raw materials such as lime, fertilizers or raw biodynamic preparations in our broadcasters as reagents. Using such contaminates the underlying patterns with gross materials, causing problems. Homeopathic potencies are of proven reliability.

However, one of the problems long experienced with homeopathic potencies is that variations and inconsistencies creep in, not only between different people making potencies from different batches of materials, but even between one occasion and another for the same practitioner. In searching for something better we found that clear and consistent results were obtained using Malcolm Rae geometric cards, which involve patterns of seven concentric circles. With geometric cards and a reader the card is inserted, the desired potency is dialed and the reagent (such as sugar tablets) gets that potency built or patterned on it. These cards are attuned to the archetypes and are the most reliable reagents we know of.

REAGENTS SHOULD BE PERIODICALLY REPLACED

This is not because reagents wear out or lose their potency over time in a field broadcaster, but rather because over time conditions change and those reagents are no longer the most appropriate potencies to balance and improve vital conditions. How often reagents should be replaced for optimum results is not clear, but we recommend this at least annually.

ONGOING RESEARCH

Research with field broadcasters and organizational life force patterns is on-going at Union Agricultural Institute. We are learning more all the time.

Many inquire if field broadcasters can get rid of one or another weed, insect or disease. By itself this would be a piecemeal rather than an integrated approach and was not our first priority in research. Our initial concern was to support crops by improving the entire environmental picture so that both quality and quantity of growth improved. Thus we boosted vitality and balance rather than combating nuisances. Frequently pests and diseases indicate imbalances, and bringing things into balance eliminates the problem.

With balanced improvement we've seen many weed, insect and disease problems diminish or disappear. Yet, some pest problems, notably things like raccoon and deer damage, have been known to increase. No doubt this is because such animals like the same things humans like.

In 2002 we are introducing species specific remedies for weeds. As these prove out we will work on insects and other pests. But we caution against reliance on such things as broadcasting dog urine to keep the deer out of the watermelons. It is likely to work, but do you want the watermelons to taste of dog urine? Last but not least, please DO NOT broadcast parathion or other poisons at all for any reason. Sure, it would keep corn ear worms out of the sweet corn. But there are far more serious consequences if parathion is embedded in every ear of corn.

ORDERING A BROADCASTER

Not including travel or consulting, broadcaster units are \$1000 apiece. They incorporate all of the above mentioned improvements, a revised approach to reagents, and a test meter to check components and continuity at installation. A farm evaluation from the survey map and the initial reagent package is also included. Subsequent reagent updates, which we recommend at least annually, are \$120. Specific weed reagents are \$15 each. If there is a weed problem we do not have a reagent for, send us half a cup of seeds and we will make one.

There is a 5-year warranty on circuit components including replacement parts if needed. A broadcaster covers any area from 1 to 2,000 acres. Units are sealed to prevent moisture condensation build-up. Duplicate diodes connected in parallel are standard equipment as a fail-safe in case one malfunctions.

Inside a 250 mile radius from Blairsville we will install broadcasters at no additional cost. Outside of that radius usually involves travel expenses, though we like to visit each location, do the assembly, dowse for an optimum location and in general look things over. This we feel assures success.

Orders should include at least half payment in advance along with either an aerial photo or a survey map with complete outer property boundaries clearly and accurately marked.

One Quantum Field Broadcaster can cover up to 2,000 acres. Properly installed and maintained it will improve your crop yield on an ongoing basis!

Not including travel or consulting, broadcaster units are \$1000 apiece. They incorporate all of the above mentioned improvements, a revised approach to reagents, and a test meter to check components and continuity at installation. A farm evaluation from the survey map and the initial reagent package is also included. Subsequent reagent updates, which we recommend at least annually, are \$120. Specific weed reagents are \$15 each. If there is a weed problem we do not have a reagent for, send us half a cup of seeds and we will make one.

There is a 5-year warranty on circuit components including replacement parts if needed. A broadcaster covers any area from 1 to 2,000 acres. Units are sealed to prevent moisture condensation build-up. Duplicate diodes connected in parallel are standard equipment as a fail-safe in case one malfunctions.

Inside a 250 mile radius from Blairsville we will install broadcasters at no additional cost. Outside of that radius usually involves travel expenses, though we like to visit each location, do the assembly, dowse for an optimum location and in general look things over. This we feel assures success.

Orders should include at least half payment in advance along with either an aerial photo or a survey map with complete outer property boundaries clearly and accurately marked.

ORDER/INFORMATION FORM

Name: _____ First: _____

Address: _____

City: _____ ZIP: _____

Ph: _____ Fax: _____

e-mail: _____

Area (acres): _____ #Units: _____

- Payment attached
- Survey map(s) attached
- Not yet, please contact me

Where did you hear about us? _____

Do you know anybody else who you would like us to contact: _____

Please mail to:
Union Agricultural Institute
8475 Dockery Road
Blairsville, Georgia 30512, USA
Ph: 706 745-6056, Fax 706 745-4499
www.unionag.org
e-mail: uai@alltel.net

**Make checks or money orders payable to UAI.
Checks must clear before shipment.**

